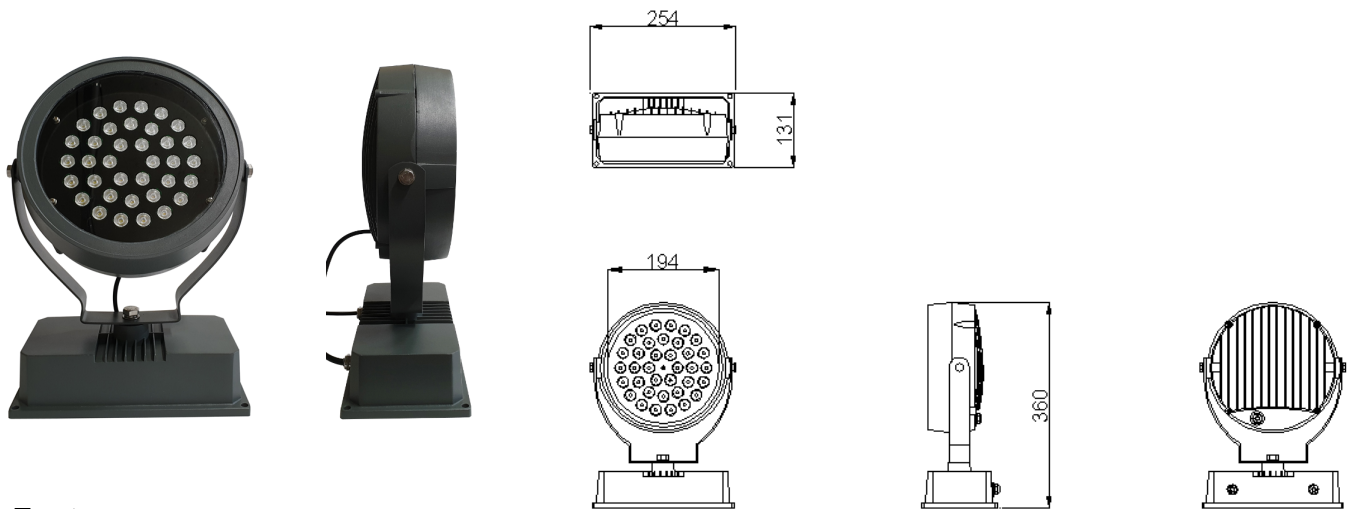


Circle DMX Flood light (RGB full color DC type DMX)



Features

- *.Waterproof
- *.DMX512 (RGB full color)
- *.Constant current
- *.Full aluminum body
- *.Glass cover

The Technical Specifications of LED Flood light (LH-CL-50CL)

Descriptions	Specifications	Remarks
1. Driving Current(Max)	2A	Constant current
2. Power Consumption	50W	at 24V
3. Operating Voltage	20~25V VDC	
4. Recommended Voltage	24 VDC	
5. LED Quantity	36 EA	
6. LED Luminous Intensity	RED 406lm	
	GREEN 964lm	
	BLUE 253lm	
7. Operating Temperature	-20°C ~ +60°C	
8. LED Viewing Angle	15/30 degree	
9. Power input line length	200mm	
10. Data format	DMX512	
11. IP grade	IP66	
12. Outline Size	254X131X360(H)mm	
13. Weight	4.4Kg	